

VS300

PREMIUM WALL STAND



The DEL MEDICAL VS300 wallstand is an easily positioned and secure housing for imaging receptors such as film, CR and all cassette sized digital flat panel detectors. The precise counterbalanced mechanics allows for an effortless and smooth travel of 56.5" from the floor. Soft touch, antimicrobial PA and multi-positional overhead handgrips aid in patient positioning and stability, while the flexible vertical drive positioning handle and conveniently located electromagnetic lock releases reduce technologist wrist strain and fatigue.

Key Highlights

Electromagnetic Locks

- Conveniently placed control buttons are positioned on the side of the receptor cabinet

Ergonomic Release Handle

Side-Mounted and Overhead Patient Hand Grips

- Conveniently placed hand grips to prioritize patient comfort and satisfaction

Vertical Travel Range of 56.5"

Available with 17" x 17" (43 cm x 43 cm) Grid Cabinet or Bucky and a Wide Selection of Grid Options

Cable Concealment System

Technical Specifications

* All specifications subject to change without notice

VS300 Wall Stand

Height (includes vertical travel):	84" (213.4cm)
Depth:	13.4" (34cm)
Receptor width:	24.6" (62.5cm)
Weight (with receptor):	200lb (91kg)
Front panel aluminum equivalency:	0.4mm

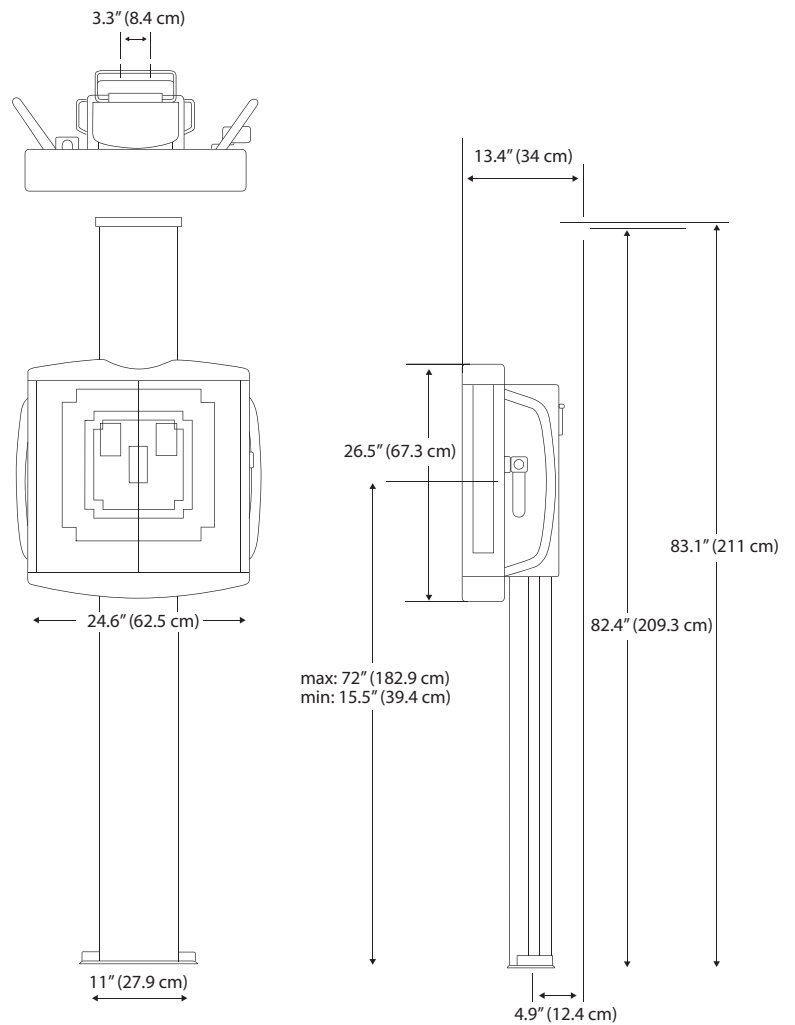
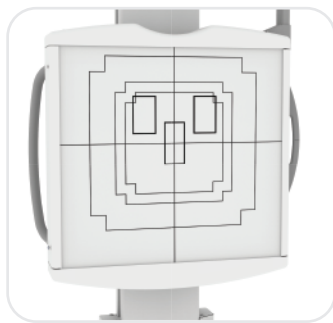
Electrical Specifications

24VDC, 1.25 max momentary amp

60' cable for 24VDC is provided

Certifications

ETL listed



VS300 Options:

- 17" x 17" (43cm x 43cm) grid cabinet or bucky
- Deluxe, heavy-duty manual cassette tray
- Size-sensing cassette tray with PBL interface
- Floor mount kit for freestanding version
- Wall mount bracket extension kit
- Auto tracking kit
- Ion Chamber (AEC)
- Variety of grid options



www.delmedical.com

New York
28 Calvert Street
Harrison, NY 10528
(Tel) 800.261.9808
(Fax) 914.835.6111

Illinois
241 Covington Drive
Bloomingdale, IL 60108
(Tel) 800.800.6006
(Fax) 847.288.7011

DEL MEDICAL

#9000-VS300 02.19