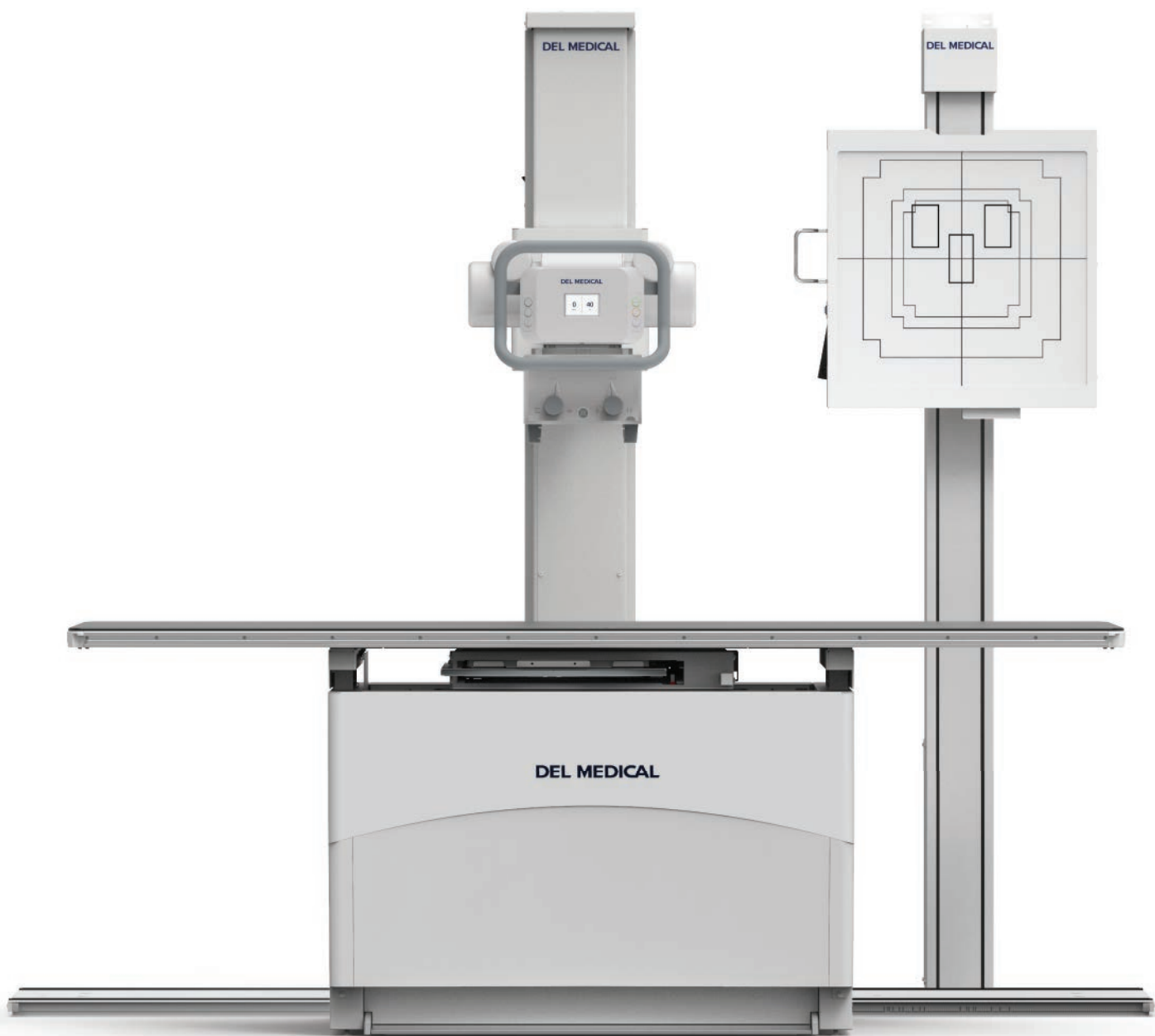


DEL MEDICAL

FMT

FLOOR MOUNTED
RADIOGRAPHIC SYSTEM



System Overview

Budget Friendly Clinical Solution

The DEL MEDICAL FMT System offers an economical, compact design ideal for hospital radiology departments, medical imaging centers, and orthopedic facilities looking to maximize space and avoid costly room modifications. The secure 10 ft (3 m) floor-mounted rail allows for effortless longitudinal travel and quick positioning. 8 ft (2.4 m) and 12 ft (3.7 m) rails are also available.

The FMT System was developed to keep costs low while also producing the highest quality diagnostic images. Built in the USA, it will deliver many years of continuous use and exceptional user-satisfaction.

System Includes

- ▶ FMT Tube Stand
- ▶ Manual Collimator
- ▶ RT100 Four-Way Float Top Table
- ▶ VS100 Wall Stand

Optional

- ▶ DELWORKS DR System
- ▶ EV800 Elevating Table
- ▶ VS300 Ergonomic Wall Stand
- ▶ Automatic Exposure Control (AEC)
- ▶ Rotating Detector Tray

Key Highlights



Electromagnetic Safety Locks



Rotational Tube Column Easily Positioned from the Tube Head



Powerful High Frequency Generator



Affordable, Sturdy Table and Wall Stand



Integrated Workflow



Fixed and Wireless DR Detector Options



Dose Management Configurations



Simple and Precise Imaging

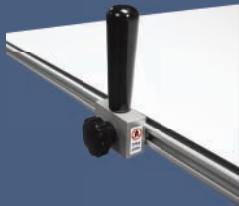
The FMT tube stand is easy to use and features a continuous digital angulation display. SID is visible when the system is positioned at 40 or 72 in (102 or 183 cm) to the wallstand or 40 in (102 cm) to the table. Conveniently positioned finger-tip control buttons, and powerful magnetic locks ensure steady, accurate tube head positioning. In addition, it only requires a ceiling height of 7 ft 3 in (221 cm) making it one of the lowest ceiling height requirements in the industry.

RT100 Four-Way Float Top Table

The RT100 table features a 700 lbs (318 kg) patient weight capacity and a stain-resistant floating tabletop which glides freely on a precision roller bearing system. Float top movements are safely controlled by heavy-duty electric locks, activated by a conveniently placed foot treadle release. The standard cassette tray accommodates your choice of 14 x 17 in (35 x 43 cm) or 17 x 17 in (43 x 43 cm) detector with ease. Its all-steel structure and welded base provides maximum strength and reliability. In addition, the RT100's base can be used to store Anthem generator electronics, making it a great space saver for tight room layouts.



Accessories and Upgrades



▶ Table Side Handgrips

These sturdy handgrips can be mounted along the entire length of both sides of the tabletop to enhance patient safety.



▶ Lateral Cassette Holder

This adjustable holder can be mounted along both sides of the tabletop allowing for access to a variety of cross-table lateral views.

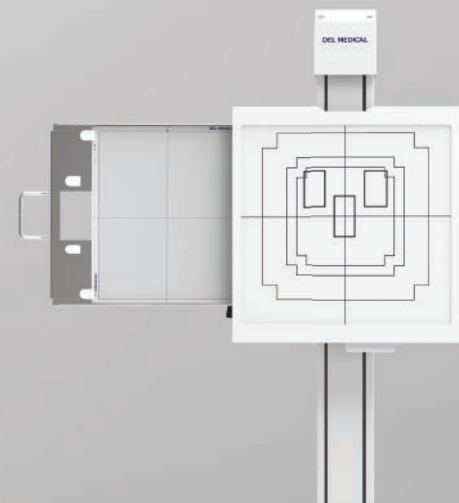


▶ Compression Band

This compression device is used to safely secure patients to the tabletop.

VS100 Wall Stand

The ultra-compact VS100 vertical stand is powered by an electric lock release handle and dual counterweight cables for added patient safety. Its expansive vertical travel of 58 in (148 cm) enables a complete range of exams from skull to weight-bearing knee and ankle exams. Its wall hugging design saves space in small rooms.



Ergonomic Tube Head Design



- 1 Digital Display of SID and Continuous Angulation**
SID is visible and soft detents are easily felt when tube reaches 40 or 72 in (102 or 183 cm) to the wallstand or 40 in (102 cm) to the table
- 2 Lock Release Buttons, Including Column Rotation**
- 3 All Locks Release Sensor at Main Handle**
Longitudinal, Transverse, Vertical movement with grab-and-go convenience
- 4 Collimator Light is Automatically Activated with Tube Movement**
Or by pressing any movement button

Optional

EV800 Elevating Four-way Float Top Table

The durable EV800 elevating four-way float top table delivers outstanding safety and usability. Featuring an exclusive four-point lift system and exceptionally quiet motor-drive, its smooth, scratch resistant table top lowers to a height of just 22 in (56 cm) to ensure stress-free patient transfers and adjustments. Offering a high patient weight capacity of up to 800 lbs (363 kg), stable continuous movement is possible through conveniently placed recessed foot treadles and table-side controls, suitable for increasing technologist performance and satisfaction.

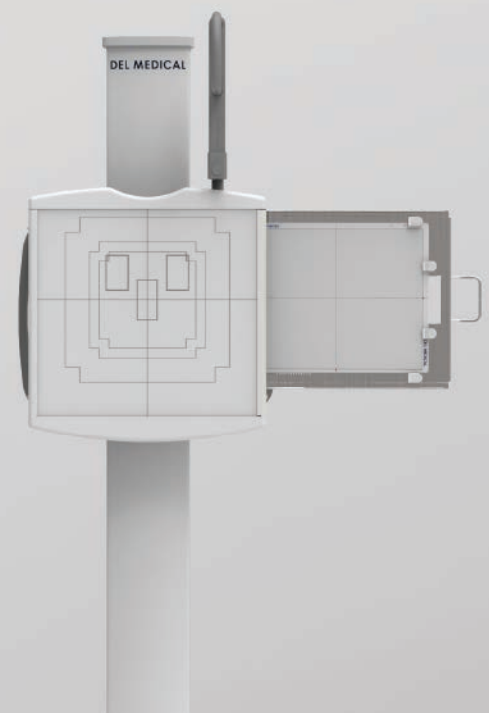


Table-side Hand Controls

VS300 Ergonomic Wall Stand

The reliable VS300 wall stand utilizes electromagnetic 'fail-safe' locks to maintain operator confidence throughout the imaging procedure. Full receptor movement to the floor, patient-side handgrips and optional overhead handgrips promote efficient upright exams without placing unnecessary strain on the patient.

Designed for convenience, the VS300 technologist handgrip permits relaxed vertical travel by angling with the operator's wrist as the image receptor is raised or lowered.



Rotating Detector Tray * optional upgrade

The easy-to-use rotating tray enables manual rotation of the DR detector for use inside both table and wall stand. The stable one-handed operation supports fast portrait-to-landscape positioning without ever removing the detector from the tray. Fully extended steel slides activate locking mechanisms to assure detector protection when loading and unloading. Designed to accommodate a wide array of ISO 14 x 17 in cassette-sized detectors.



Software and Detector Options

Outstanding Image Quality and Reduced Patient Dose

DELWORKS

DELWORKS is a powerful image acquisition and processing software featuring a user-friendly interface that provides sophisticated and speedy medical imaging. Designed with complex system automation, DELWORKS aims to simplify the examination process by making the difficult decisions for you.

Advanced anatomical programming and image processing algorithms help optimize technologist productivity. DELWORKS strives to minimize human error and unwanted repeat exams to give technologists the highest quality image and lowest dose, with every exposure.

Software Features

- ▶ Pre-exposure display of patient and procedure information, x-ray generator exposure factors, status and control functions integrated in a single display screen
- ▶ Positioning guide: queues proper positioning for each view
- ▶ Deviation Index (DI): standard reporting to assist in dose minimization
- ▶ Exam-specific image processing algorithms automatically optimize images based on selected patient anatomy
- ▶ Automatically Programmed Radiography (APR) specific default values with manual adjustment
- ▶ Image rotation in 90° steps, horizontal mirroring, automatic and manual image cropping to collimated area
- ▶ Full array of measurement tools
- ▶ Easy verification and correction of image laterality and patient orientation
- ▶ Intuitively add orientation markers and text comments directly to acquired images (pre-defined or text free)
- ▶ PICC tool applies enhanced processing to images for better visualization of leads, lines or tubes
- ▶ Effective management, analysis, and reporting of rejected images
- ▶ Detailed histograms of pixel density
- ▶ User selection of modified LUT (Look-Up Table) based on various exam types
- ▶ Manual adjustment of the LUT, window and level

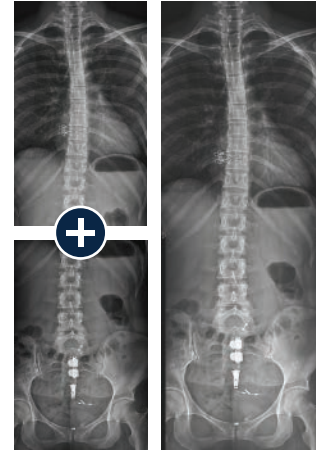


Image Stitching Option

The optional image stitching application automatically or manually combines multiple images into one, for accurate and effortless full-length spine or leg length images.

Premium Detectors Available in Single, Dual, or Multi-Detector Applications



E14Cw

Ultra-light, portable
14 x 17 in (35 x 43 cm)
Cesium wireless
detector for
outstanding image
quality and flexibility



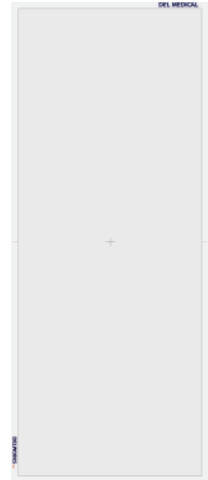
E24Cw

Ultra-light, portable
10 x 12 in (24 x 30 cm)
Cesium wireless detec-
tor for pediatric or
imaging of smaller body
parts



E17C

Large format 17 x 17 in
(43 x 43 cm) detector,
fixed in the vertical wall
stand or table providing
the maximum imaging
area with fast, wired
image transfer



LLI

Monolithic (one piece),
17 x 42 in (43 x 107 cm),
wireless and portable
detector designed for full
spine and leg imaging in
a single exposure

EasyConnect

DELWORKS wireless detectors feature EasyConnect — an Auto Exposure Detection (AED) technology that keeps the detector in a standby mode, awaiting exposure from any x-ray source. Once an exposure is detected it instantly captures the x-ray image and transmits it wirelessly to the system workstation.

EasyShare

Detectors can be shared between multiple DELWORKS workstations, enhancing workflow, equipment utilization and economic feasibility.

Some examples for reference:

- Sharing an E14Cw detector between the MDR mobile and OTC or FMT Radiographic Suite
- Sharing an E14Cw and an E24Cw detector between any DELWORKS in-room workstation and a DELWORKS FIT mobile workstation for imaging on the go

CyberSecurity

To provide exceptional patient care without interruption, it is critical for health care providers to have a secure environment, protected against cyberthreats such as viruses or ransomware. UMG/DEL MEDICAL takes our partnership in this seriously and is committed to providing safe, reliable, and secure systems. We deliver product security that helps you achieve compliance with Health Insurance Portability and Accountability Act (HIPAA). Together, we can increase security and privacy.



Technical Specifications

* All specifications subject to change without notice

FMT Tube Stand

Minimum Ceiling Height:	87 in (221 cm)
Column Height:	85.5 in (217 cm)
Vertical Travel:	64.5 in (164 cm) total
Longitudinal Travel:	96 in (244 cm)
Transverse Travel:	11 in (28 cm)
Floor-to-Focal Spot (with Standard Platform Mount):	Minimum 10 in (25.4 cm), Maximum 74.5" (190 cm)
Rail Longitudinal Length:	10 ft (3 m) / Optional 8 ft (2.4 m) or 12 ft (3.7 m)
Column Rotation:	180° where installation permits
Tube Rotation:	±180° detents for lateral decubitus projections
Base Assembly to Rear Wall:	12 in (30.5 cm)
Tube, Collimator, and Cable Support Capacity:	88 lbs (40 kg)
Weight (Excluding X-ray Tube, Collimator, and Counterweights):	200 lbs (91 kg)
Power Requirements:	120 / 230-240 VAC 50 / 60 Hz

Generator

1-phase:	30 / 32 / 40 kW / Stored energy options also available
3-phase:	32 / 40 / 50 / 65 kW

X-ray Tube

Options:	140 / 200 / 300 / 400 kHU
----------	---------------------------

RT100 Radiographic Table

Load Capacity:	700 lbs (318 kg)
Table Base Length:	43 in (109 cm)
Table Base Width:	29 in (74 cm)
Tabletop Length:	86.6 in (220 cm)
Tabletop Width:	32 in (81 cm)
Tabletop Movement:	Longitudinal, 51.50 in (131 cm) Transverse, 9.5 in (24 cm)
Total Bucky Travel:	Longitudinal 11.25 in (28 cm)
Tabletop-to-Film Distance:	3.2 in (8 cm)
Weight:	387 lbs (176 kg)
Power Requirements:	120 / 230-240 VAC 50 / 60 Hz (Max current 0.75 Amps)
Options:	78 in (198 cm) tabletop length / Variety of grid options / Lateral cassette holder / Table-side patient handgrips / Compression band

VS100 Wall Stand

Column Height:	85.1 in (216.1 cm)
Receptor Center Height Max:	72.4 in (183.9 cm)
Receptor Center Height Min:	14 in (35.6 cm)
Receptor Travel:	58.4 in (148.3 cm)
Wall to Receptor Distance:	10.85 in (27.6 cm)
Weight:	280 lbs (127 kg)
Power Requirements:	24 V DC at 0.5 Amps

EV800 Elevating Table (Optional)

Load Capacity (Dynamic):	800 lbs (363 kg)
Table Base Length:	53 in (135 cm)
Table Base Width:	25 in (64 cm)
Tabletop Movement:	Longitudinal, \pm 19.75 in (50 cm) Transverse, \pm 6.5 in (16.5 cm)
Variable Height:	22.25 in (56.5 cm) to 34.25 in (87 cm)
Bucky Travel:	\pm 8.5 in (22 cm)
Tabletop-to-Film Distance:	3.2 in (8 cm), upper position for special applications 2.7 in (6.9 cm)
Tabletop Beam Attenuation:	Standard table (<0.7 mm aluminum) Carbon fiber (<0.4 mm aluminum)
Tabletop Length:	78 in (198 cm) / 86.5 in (220 cm)
Tabletop Width:	32 in (81 cm) / 36 in (91 cm)
Weight:	563 lbs (256 kg)
Power Requirements:	120 VAC or 230/240 VAC, 50/60 Hz, Max current 10 amps

VS300 Ergonomic Wall Stand (Optional)

Height / Vertical Travel:	84 in (213.4 cm)
Depth:	13.4 in (34 cm)
Receptor Width:	24.6 in (62.5 cm)
Receptor Height:	26.5 in (67.3 cm)
Front Panel Aluminum Equivalency:	0.4 mm
Weight (with Receptor):	200 lbs (91 kg)
Power Requirements:	24 V DC at 1.25 Amps

DEL MEDICAL



#9000-FMT 01.21 Rev. D

New York

28 Calvert Street
Harrison, NY 10528
(Tel) 800.261.9808
(Fax) 914.835.6111

Illinois

241 Covington Drive
Bloomingdale, IL 60108
(Tel) 800.800.6006
(Fax) 847.288.7011

www.delmedical.com