

FWFC

FLOOR/WALL OR FLOOR/CEILING TUBE STAND

The DEL MEDICAL FWFC System offers an affordable, flexible solution designed for medical imaging centers and urgent care facilities looking to maximize space and minimize room modifications. It features a secure floor rail and an upper wall or ceiling mounted rail for installation flexibility and effortless longitudinal travel and quick positioning.

The FWFC System might be the most affordable radiographic system in the DEL MEDICAL product line, but its outstanding build quality and performance make it a perfect fit for lower volume facilities looking to enhance their diagnostic imaging capabilities. Built in the USA, it is prepared to deliver many years of continuous use and exceptional user-satisfaction.

Key Highlights

Column Rotation of +/-180° with a Center Detent

Manual Collimator

Electromagnetic Brake System

- For vertical and longitudinal travel

Standard 8 ft (2.4 m) Floor/Wall Rails

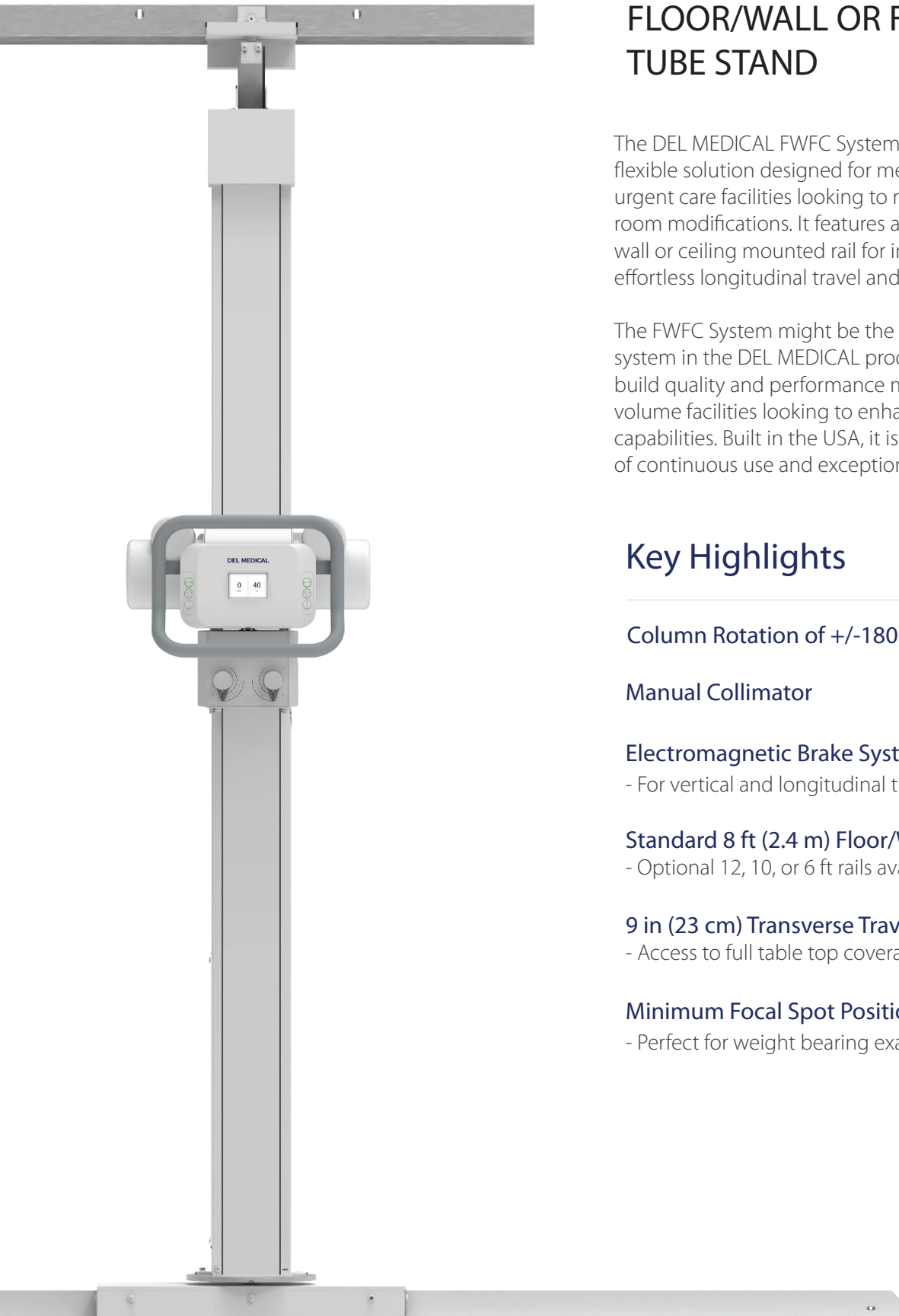
- Optional 12, 10, or 6 ft rails available

9 in (23 cm) Transverse Travel

- Access to full table top coverage

Minimum Focal Spot Positioning at 12 in (26.5 cm)

- Perfect for weight bearing exams



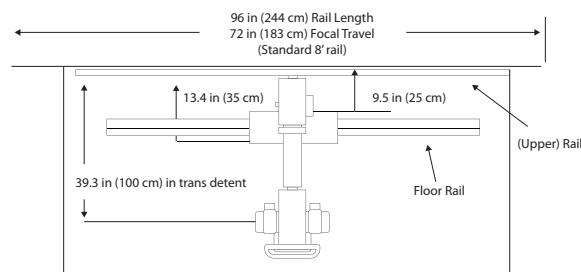
Technical Specifications

* All specifications subject to change without notice

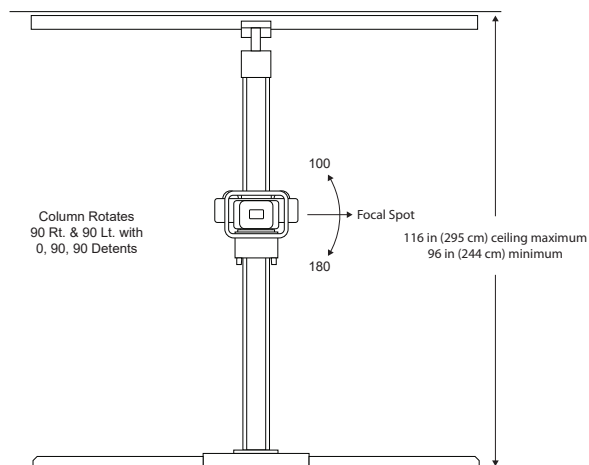
FWFC Tube Stand

Ceiling Height:	Minimum 96 in (244 cm), Maximum for ceiling mount 116 in (295 cm)
Vertical Travel:	Minimum 12 in (26.5 cm), Maximum 73 in (189 cm)
Longitudinal Travel:	72 in (183 cm) with 8 ft rail
Rail Longitudinal Length:	8 ft (2.4 m) / Optional 6 ft (1.8 m), 10 ft (3 m) or 12 ft (3.7 m)
Transverse Travel:	9 in (23 cm)
Column Rotation:	$\pm 180^\circ$ with detents 0° , 90° , 90°
Tube Rotation:	$\pm 180^\circ$
Weight:	200 lbs (91 kg)
Power Requirements:	115 (1 A) / 230 (2 A) VAC 50 / 60 Hz

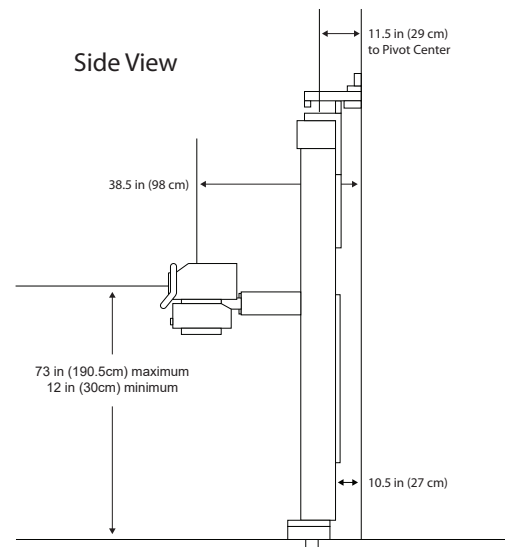
Top View



Front View



Side View



DEL MEDICAL



#9000-FWFC-DS 07.21 Rev. B

New York
28 Calvert Street
Harrison, NY 10528
(Tel) 800.261.9808
(Fax) 914.835.6111

Illinois
241 Covington Drive
Bloomington, IL 60108
(Tel) 800.800.6006
(Fax) 847.288.7011

www.delmedical.com