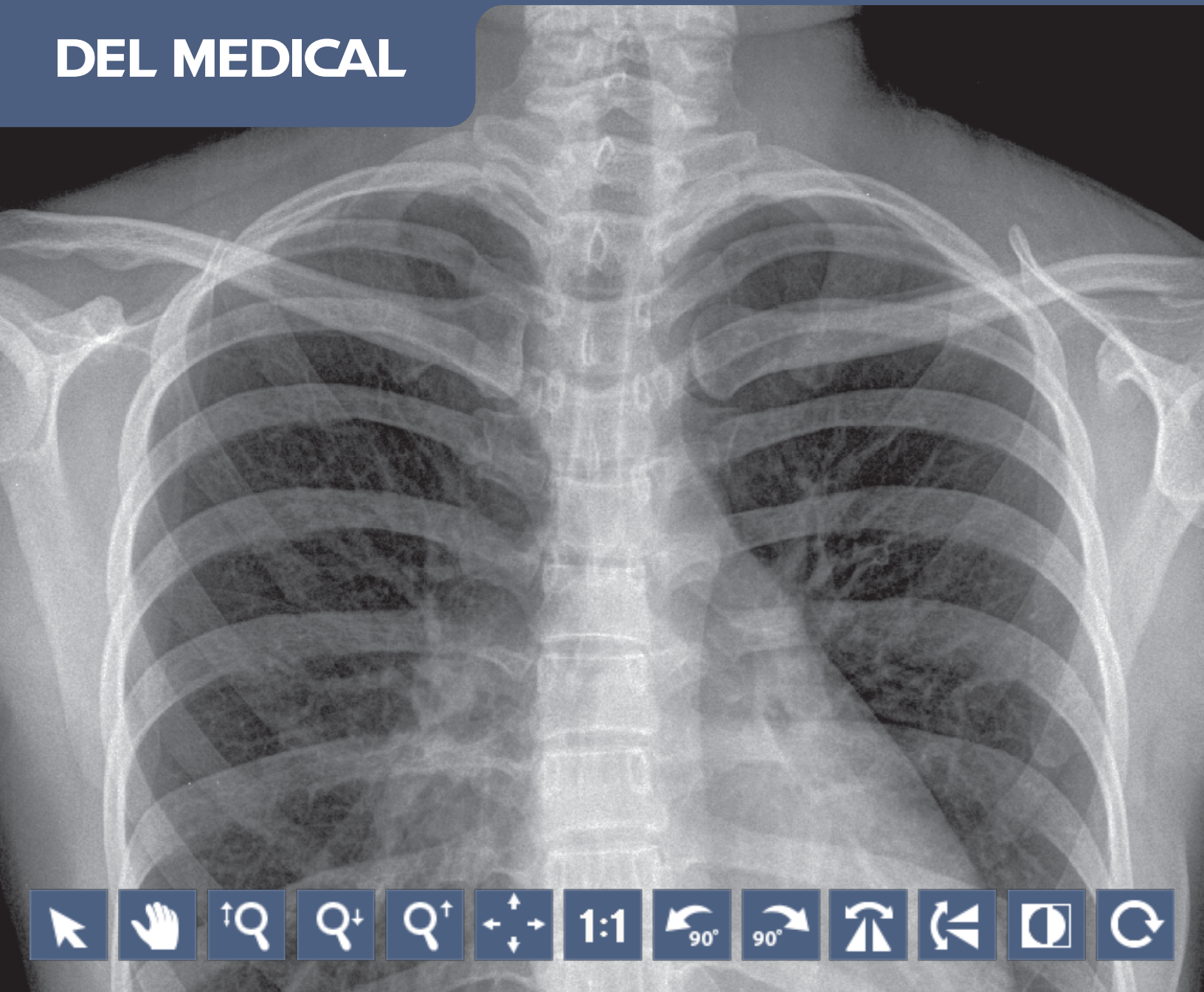


DEL MEDICAL



DELWORKS

DIGITAL RADIOGRAPHY DATASHEET

Software

- Single console workflow with generator integration (supported generators only)
- EasyConnect Automatic Exposure Detection (AED) technology
- Multiple imaging stitching application option (manual or automated)
- Pre-exposure display of patient and procedure information
- DICOM Modality Worklist (MWL) or manual patient / exam data entry and patient edit
- Emergency patient exam creation
- Study list with status of exams
- Ability to add views to a study
- Positioning guide
- Display and control of x-ray generator exposure factors (kv, mA, time, mAs, density, AEC (if enabled) (with integrated generators)
- Image rotation in 90 degree steps and free rotate
- Pan
- Zoom
- Horizontal mirroring
- Flip
- Invert
- Automatic and manual image shutter cropping to collimated area
- Verification and correction of image laterality and patient orientation
- Orientation marker that can be added (standard and custom annotations)
- Text comments that can be added (free text or pre-determined custom annotations)
- Measuring tools for distance and angle
- PICC tool for optimized display of lines, tubes, and leads
- Detailed histograms of pixel density and curve shape adjustment
- User selection of modified Look-Up Tables (LUT) based on exam type
- Mask
- Manual adjustment of the LUT and Window / Level, Contrast and Brightness
- Image panel layout selection
- Send destination selection
- Print window with orientation and size
- EasyShare allows a detector to be shared easily between multiple workstations
- Configurable in multiple languages (e.g. Spanish)

Indicators

- Network status
- Disk space free
- Detector battery status
- Generator controls with ready, prep, exposing

Dose Reduction Features

- Display of Deviation Index (DI), Target Exposure Index (TargetEXI) and Current Exposure Index (CurrentEXI)
- Grid suppression, including for standard or high-line grids
- Anatomical Programming (APR) for standardized exams with specific default values that may be customized
- Exam specific image processing algorithms based on selected patient anatomy specific image processing algorithms
- Reject analysis with exportable data and reject / accept image management

DICOM Connectivity

- Image Storage Class User (SCU) and Storage Class Provider (SCP) for Computed Radiography, Digital X-ray for presentation and for processing, secondary capture
- Grayscale soft copy presentation state storage SCU
- X-ray radiation dose Structured Report (SR) SCU
- Query / retrieve study root information model, FIND and MOVE, SCU and SCP
- Modality worklist information model - FIND SCU
- Storage commitment push model SCU
- Modality Performed Procedure Step (MPPS) SCU
- Print: basic grayscale print management, basic film session, basic film box, basic grayscale image box, printer SCU
- Media storage write files (FSC or FSU) and read files (FSR): general purpose CD-R, DVD-ROM, USB media interchange with JPEG

CyberSecurity

Advanced CyberSecurity to help achieve HIPAA compliance including Anti-virus, Encryption, Security Updates, and Role based logins. For specifics, see DEL MEDICAL publication #9000-CyberSecurity and/or MDS-2 for DELWORKS at www.delmedical.com/support

DELWORKS

DESKTOP WORKSTATION



Workstation (Dell OptiFlex 7000)

Processor:	4.6 GHz Intel® Core™ i5-12500
Memory:	16 GB RAM
Hard Disk Drive:	1 TB M.2 NVMe Solid State Drive
Operating System:	Microsoft Windows 11 Pro 64-bit (Standard), Microsoft Windows 10 Enterprise LTSC 2019 64-bit (Optional)
Dimensions:	3.7" x 11.4" x 11.5" (9.3 cm x 29 cm x 29.2 cm)
Weight:	11.69 lbs. (5.30 kg)
Power Adapter:	240 W internal power supply unit

Monitor (Dell P2418HT)

Display Type:	LED-backlit LCD monitor / TFT active matrix touchscreen
Diagonal Size:	24" (61 cm)
Viewable Size:	23.8" (60.5 cm)
Panel Type:	IPS
Aspect Ratio:	16:9
Native Resolution:	Full HD (1080p) 1920 x 1080 at 60 Hz
Pixel Pitch:	0.275 mm
Brightness:	250 cd/m ²
Contrast Ratio:	1000:1 / 8000000:1 (dynamic)
Color Support:	16.7 million colors
Response Time:	6 ms (gray-to-gray)
Horizontal Viewing Angle:	178°
Vertical Viewing Angle:	178°
Screen Coating:	Anti-glare, 3H Hard Coating
Backlight Technology:	LED backlight
Features:	72% (CIE 1931) color gamut, 84% (CIE 1976) color gamut, Dell ComfortView
Color:	Black
Weight:	6.88 lbs. (3.12 kg)
Dimensions (WxDxH):	With stand: 21.2" x 9.3" x 12.7" (53.8 cm x 23.6 cm x 32.3 cm) Without stand: 21.2" x 2.1" x 12.6" (53.8 cm x 5.3 cm x 32 cm)
Display Position Adjustments:	Height, swivel, tilt

Tilt Angle:	-5°/+60°
Swivel Angle:	60°
Height Adjustment:	3.5" (8.9 cm)
Built-in Devices:	USB Hub
Interfaces:	VGA HDMI DisplayPort USB 3.0 upstream 2 x USB 3.0 downstream 3 x USB 2.0 downstream
Security Lock Slot:	VESA 100 x 100 mm, anti-theft stand lock slot
Compliant Standards:	RoHS, TCO Displays, Energy Star Certified
Voltage Required:	AC 100 / 240 V (50 / 60 Hz)
Power Consumption Operational:	18 Watt
Energy Class:	Class A+
Warranty Information - Computer Hardware:	Three (3) year, next business day, on-site hardware support warranty
Display Hardware:	Three (3) year standard warranty

DELWORKS

LAPTOP WORKSTATION



Workstation (Dell Latitude 3520 Laptop)

Processor:	2.8 GHz Intel® Core™ i7
Memory:	16 GB RAM
Hard Disk Drive:	256 GB SSD
Operating System:	Microsoft Windows 11 Pro 64-bit (Standard), Microsoft Windows 10 Enterprise LTSC 2019 64-bit (Optional)
Display Type:	Anti-glare non-touch display
Diagonal Size:	15.6" (39.6 cm)
Aspect Ratio:	16:9
Native Resolution:	Full HD (1080p) 1920 x 1080 at 60 Hz
Wireless:	802.11ax Dual Band Wireless Adapter (WLAN)
Battery:	3 Cell 41 Wh capable battery
Power Adapter:	65W AC adapter, E4
Height:	0.71" (1.8 cm)
Width:	14.2" (36.1 cm)
Depth:	9.5" (24.1 cm)
Weight:	3.95 lbs (1.8 kg)
Ports:	1 x USB Type C 3.2 Gen 2 with DisplayPort alt mode / power delivery & 2 USB Type A 3.2 Gen 1 & 1 USB 2.0 1 x HDMI 1.4a 1 x RJ-45
Warranty Information - Computer Hardware:	Three (3) year, next business day, on-site hardware support warranty

DELWORKS **FIT**

PORTABLE WORKSTATION



Workstation (Dell Latitude 7220)

Processor:	1.6 GHz Intel® Core™ i5-8365U
Memory:	8 GB RAM
Hard disk drive:	256 GB Solid State Drive (SSD)
Operating system:	Microsoft Windows 11 Pro 64-bit (Standard), Microsoft Windows 10 Enterprise LTSC 2019 64-bit (Optional)
Display:	11.6" Full HD Touchscreen w/ Gorilla Glass (1920 x 1080, Outdoor-Readable / Glove Capable)
Keyboard / Input:	Touchscreen
Battery:	2-cell (34 Wh) Lithium-Ion battery
Weight:	3.31 lbs. (1.5 kg) with single 2-cell battery
Dimensions:	12.3" x 8" x 0.96" (31.2 cm x 20.3 cm x 2.4 cm)
Certifications:	MIL-STD-810G Transit drop (48" / 1.22 m; single unit; 26 drops) Operating drop (36" / 0.91 m) Blowing rain, blowing dust, blowing sand, vibration, functional shock, humidity, salt fog, altitude, explosive atmosphere, thermal extremes, thermal shock, freeze / thaw, tactical standby to operational
Ingress protection:	IP-65 (dust-tight, protected against pressurized water)
Hazardous locations:	ANSI / ISA.12.12.01 certification capable (Class 1, Division 2, Groups A, B, C, D), CAN / CSA C22.2
Electromagnetic interference:	MIL-STD-461F certified resistant
Wi-Fi:	Dual RF-passthrough (Wi-Fi and mobile broadband)
Software compatibility:	Runs all features of DELWORKS 3.0 Software except optional stitching
Dockable:	Rugged Docking Station enables charging, transferring, and screen mirroring - Dimensions: 8.3" x 6.3" x 5.7" (21.1 cm x 16 cm x 14.5 cm) - Weight: 3.53 lbs. (1.6 kg) - Power: 90 Watt AC 120 /130 V (50-60 Hz) - 1 x headphone / microphone combo jack (3.5 mm) - 2 x USB 3.0 Type A, 1 x USB 2.0 Type A, 1 x Network RJ-45, 1 x VGA, 1 x DisplayPort, 2 x Serial - NIC for optional wired connectivity of dock to Hospital network
Warranty Information - Computer Hardware:	Three (3) year, next business day, on-site hardware support warranty

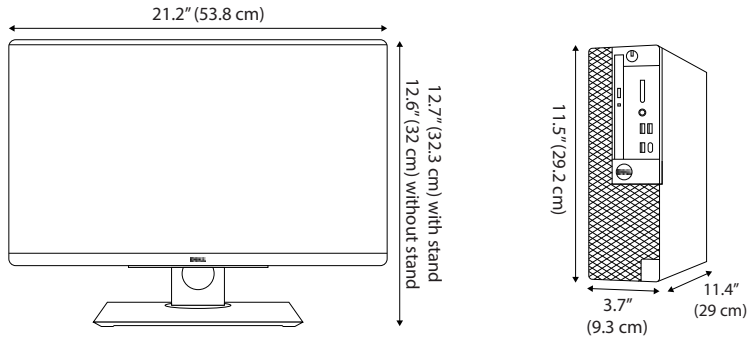
DELWORKS

DETECTORS

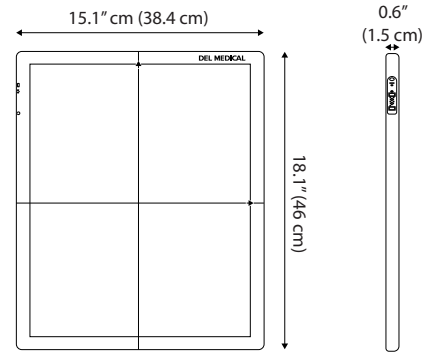
	E14Cw	E24Cw	E17C	LLI
Detector Size	14" x 17" (35 cm x 43 cm)	24 cm x 30 cm	17" x 17" (43 cm x 43 cm)	17" x 42" (43 cm x 107 cm)
Scintillator	Cesium Iodide (CsI)	Cesium Iodide (CsI)	Cesium Iodide (CsI)	Gadolinium Oxisulfide (Gadox)
Semiconductor Material	Amorphous Silicon (aSi)	Amorphous Silicon (aSi)	Amorphous Silicon (aSi)	Amorphous Silicon (aSi)
Pixel Size	148 µm	148 µm	148 µm	140 µm
Resolution	3.5 lp/mm	3.5 lp/mm	3.5 lp/mm	3.6 lp/mm
Pixels	2400 x 2880	1646 x 2057	2860 x 2874	3072 x 7680
Active Area	14" x 17" (35 cm x 43 cm)	9.5" x 11.8" (24 cm x 30 cm)	17" x 17" (43 cm x 43 cm)	17" x 42" (43 cm x 107 cm)
Image Depth	16 bit A/D	16 bit A/D	16 bit A/D	16 bit A/D
Image Preview	3 seconds	1 seconds	4 seconds	9 seconds
Cycle Time	9 seconds	6 seconds	6 seconds	12 seconds
Dimensions	15.1" x 18.1" x 0.6" (38.4 cm x 46 cm x 1.5 cm) ISO 4090 cassette size	10.6" x 13.0" x 0.6" (27 cm x 33 cm x 1.6 cm) ISO 4090 cassette size	19.7" x 19.3" x 1.8" (50 cm x 49 cm x 4.6 cm)	18" x 44" x 0.8" (46.5 cm x 112 cm x 2 cm)
Weight	6.2 lbs. (2.8 kg)	3.5 lbs. (1.6 kg)	25.8 lbs (11.7 kg)	24 lbs. (11 kg)
Wi-Fi	802.11/a/b/g/n 2.4 / 5 GHz or ethernet cable	802.11/a/b/g/n 2.4 / 5 GHz or ethernet cable	Ethernet cable	Gig E, Wi-Fi
Exposure Window	Up to 3.2 seconds	Up to 3.2 seconds	Up to 3.2 seconds	
Auto Exposure Detection (AED)	Yes	Yes	No	Yes
Distributed Weight Bearing	298 lbs. (135 kg)	298 lbs. (135 kg)	N/A	
Power Weight Bearing (4 cm)	176 lbs. (80 kg)	176 lbs. (80 kg)	N/A	
Detective Quantum Efficiency (DQE)	70% @ 0.0 lp/mm 66% @ 0.5 lp/mm 51% @ 1.0 lp/mm 39% @ 2.0 lp/mm 23% @ 3.0 lp/mm	66% @ 0.0 lp/mm 66% @ 0.5 lp/mm 51% @ 1.0 lp/mm 39% @ 2.0 lp/mm 23% @ 3.0 lp/mm	65% @ 0.5 lp/mm 52% @ 1.0 lp/mm 42% @ 2.0 lp/mm 25% @ 3.0 lp/mm	60% @ 0.0 lp/mm 45% @ 1.0 lp/mm 32% @ 2.0 lp/mm 15% @ 3.0 lp/mm
Modulation Transfer Function (MTF)	61% @ 1.0 lp/mm 31% @ 2.0 lp/mm 15% @ 3.0 lp/mm	61% @ 1.0 lp/mm 31% @ 2.0 lp/mm 15% @ 3.0 lp/mm	64% @ 1.0 lp/mm 32% @ 2.0 lp/mm 17% @ 3.0 lp/mm	65% @ 1.0 lp/mm 33% @ 2.0 lp/mm 18% @ 3.0 lp/mm
Charging Time	2 hours	2 hours	N/A	N/A
Battery Operation Time	Up to 8 hours	Up to 8 hours	N/A	~3 hours
Number of Batteries with Each Detector	2 removeable	2 removeable	Wired; no batteries	1 internal
Battery Charging	Trickle charge via cable or 3 slot external charger	Trickle charge via cable or 3 slot external charger	None	Charging cable
IPX Rating (Dust and Water Sensitivity)	IP43	IP43	N/A	IPX3
Shock Sensor	Yes, software recorded	Yes, software recorded	N/A fixed mounted	
Weight Bearing Cover	Up to 750 lbs.	Up to 750 lbs.	N/A	Up to 500 lbs.
Protective Cover with Handle	Yes (optional)	Yes (optional)	N/A	No
Weight Bearing Cover	Yes (optional)	Yes (optional)	N/A	Yes (optional)
Warranty	Three (3) year global warranty on detector, including drop coverage with deductible ¹	Three (3) year global warranty on detector, including drop coverage with deductible ¹	Three (3) year standard warranty	Five (5) year standard warranty

¹Global Warranty can be purchased for a maximum of five (5) years - Replacement detectors are offered at \$7,500 per occurrence - Includes damages to the detector due to drops - Excludes cosmetic repairs, theft, and intended misuse - Excludes battery, charger, and configuration cable

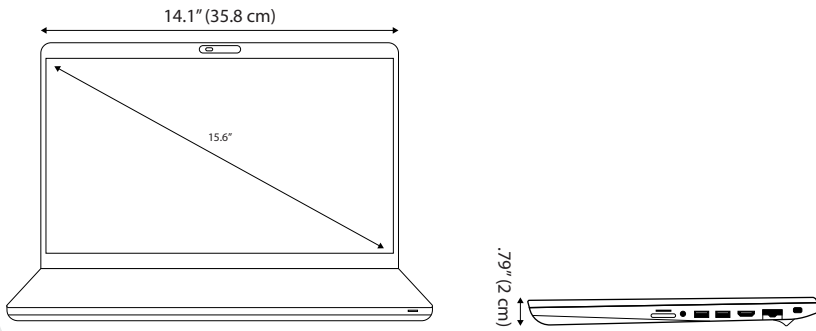
Desktop Workstation



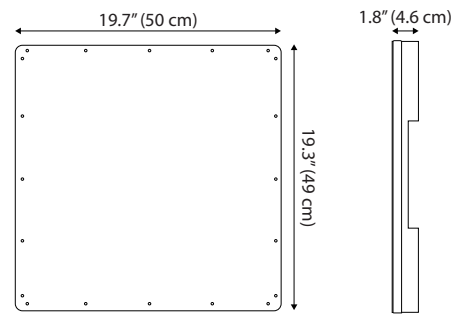
E14C Detector



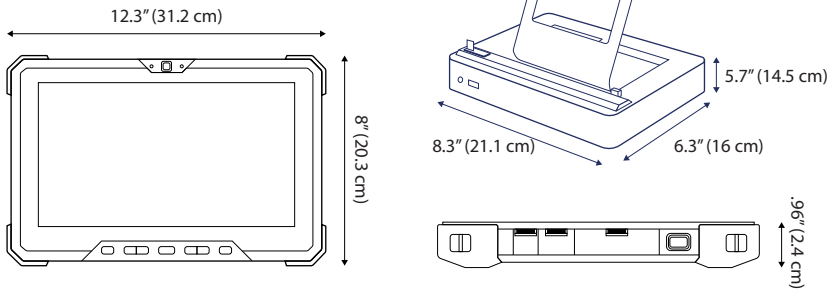
Laptop Workstation



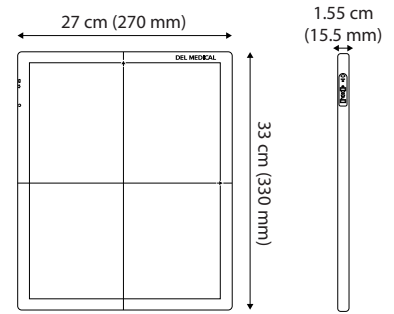
E17C Detector



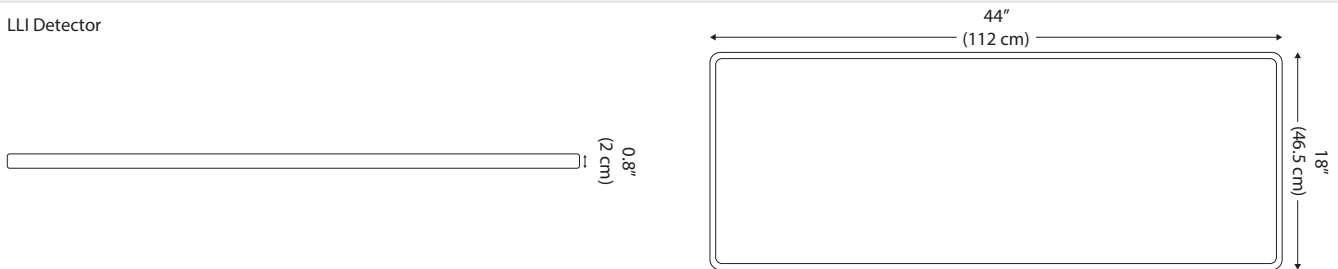
Tablet Workstation + Dock



E24C Detector



LLI Detector



DEL MEDICAL



#9000-DELOWORKS-DS Rev. C

New York
 28 Calvert Street
 Harrison, NY 10528
 (Tel) 800.261.9808
 (Fax) 914.835.6111

Illinois
 241 Covington Drive
 Bloomingdale, IL 60108
 (Tel) 800.800.6006
 (Fax) 847.288.7011

www.delmedical.com